

Underwater Fiber Optic Connector Series

X-BEAMTECH

MXB13 CONNECTOR / SXB13 CONNECTOR

MXB13 CONNECTOR

SXB13 CONNECTOR

RoHS
COMPLIANT



- Advanced expanded beam technology
- Rugged field deployable fiber optic connector
- 2 to 4 Optical Channels
- Singlemode (SM) or Multimode (MM)
- Optical/electric hybrid configurations available
- Custom configurations available
- Precision waterproof design
- The ultimate solution for deep sea applications

MXB13 CONNECTOR



SXB13 CONNECTOR



DESCRIPTION

These precision-engineered connectors are designed to excel in the most challenging underwater environments, offering reliable optical connectivity at depths ranging from 200 meters to an impressive 4,000 meters. Both the MXB and SXB models harness the power of expanded beam technology, ensuring signal integrity, durability, and low maintenance requirements.

Our MXB connector is engineered to excel in water depths of approximately 200-300 meters. When you need connectivity at extreme depths of up to 4,000 meters, our SXB connector has you covered. With high-precision waterproof designs and resistance to saltwater, ozone, and UV rays, these connectors maintain stable performance under the harshest conditions, making them the ultimate choice for marine and resource industries.

Experience the future of underwater optical connectivity with MXB and SXB connectors, engineered to redefine the possibilities of deep-sea communication. Powered by the latest expanded beam technology, it delivers unparalleled durability and hassle-free maintenance, making it the perfect choice for marine and resource industries.

APPLICATIONS

MXB13

Up to 200-300 m

- Shipboard
- Monitoring
- ROV (Remotely Operated Vehicle)
- Sensors
- Lifeboats



SXB13

Up to 3000-4000 m

- Shipboard Fiber Optic Network Connectivity
- Marine Environment Monitoring System
- Ship, Maritime System
- Signal and Power Transmission between Subsea Equipment (Underwater Sensors, Drones)

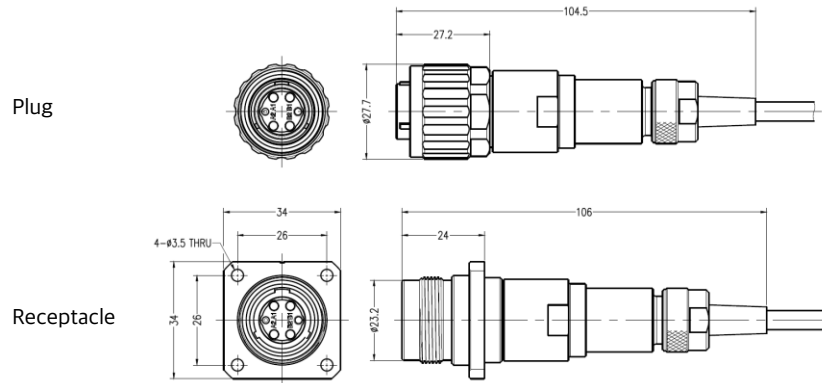
Underwater Fiber Optic Connector Series

X-BEAMTECH

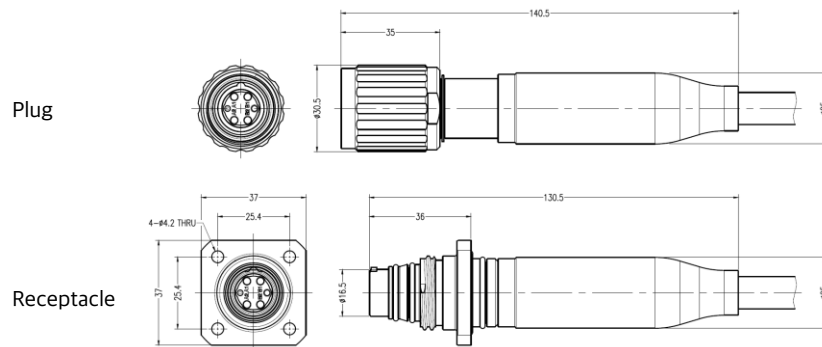
MXB13 CONNECTOR / SXB13 CONNECTOR

DIMENSIONS

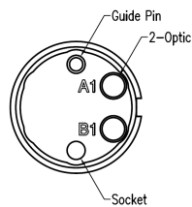
MXB13



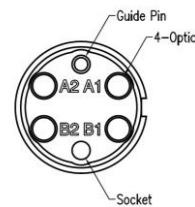
SXB13



INSERT ARRANGEMENTS



2 Optical Channels



4 Optical Channels

Note. Other configurations, materials and finishes available upon request